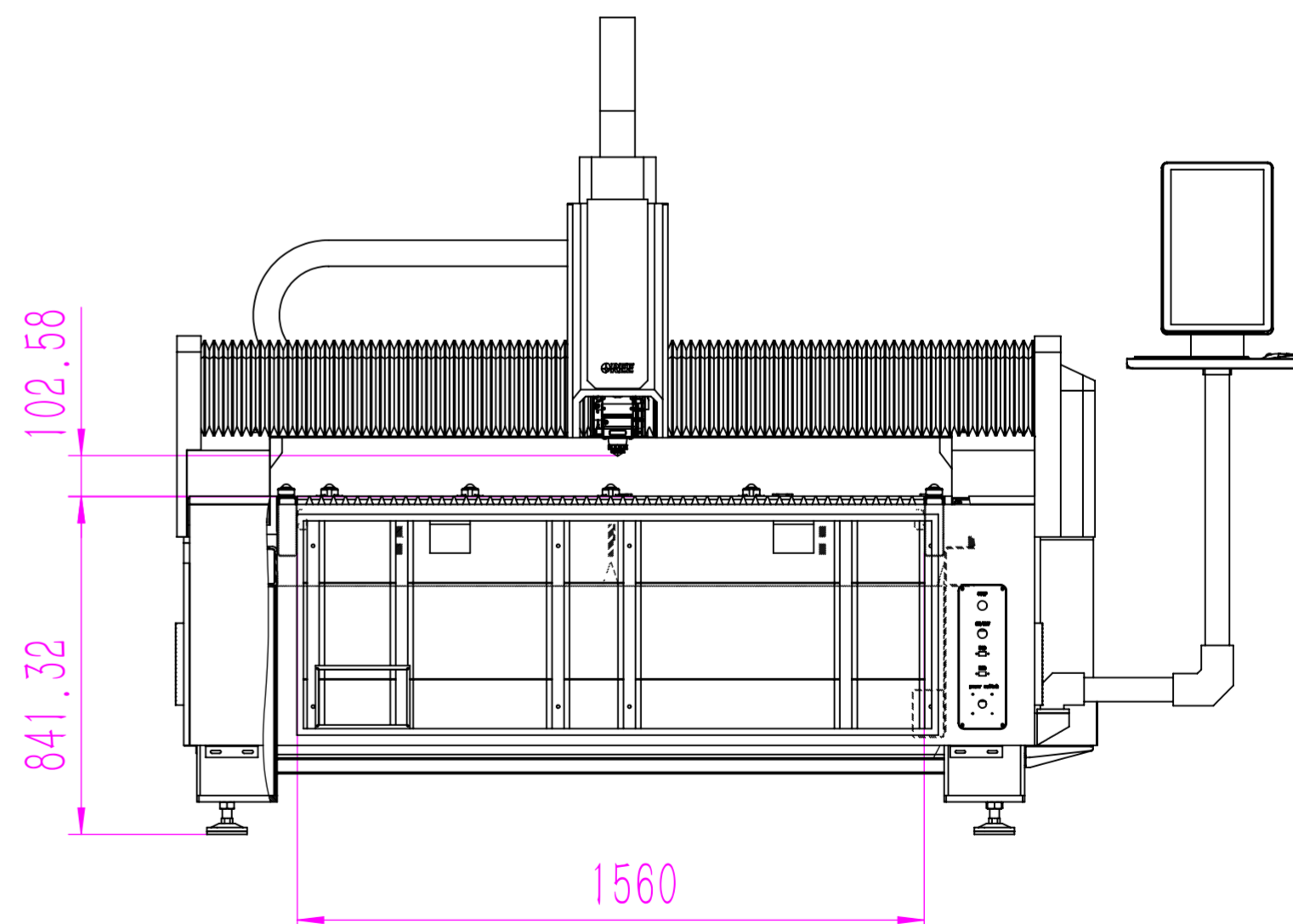
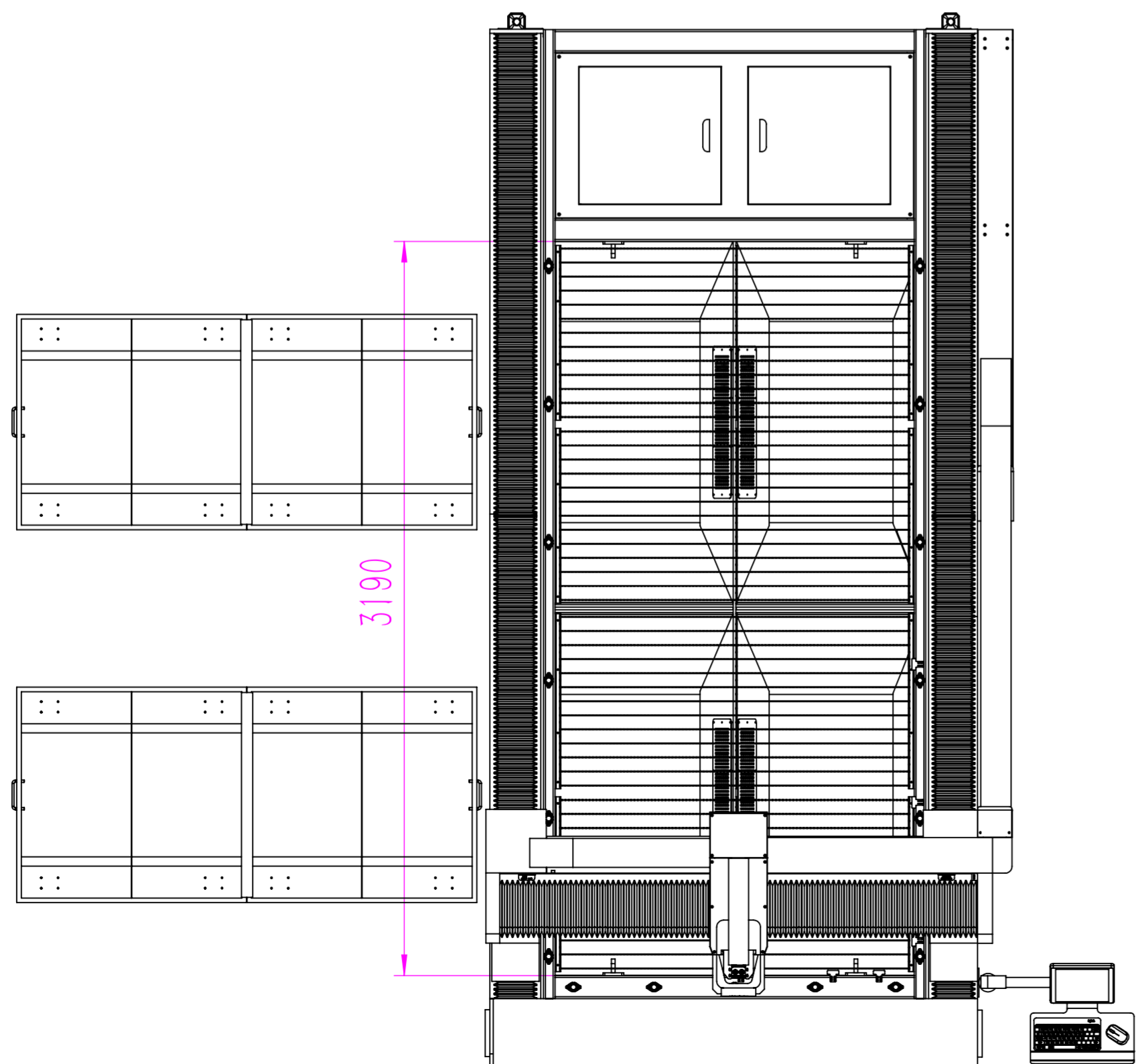
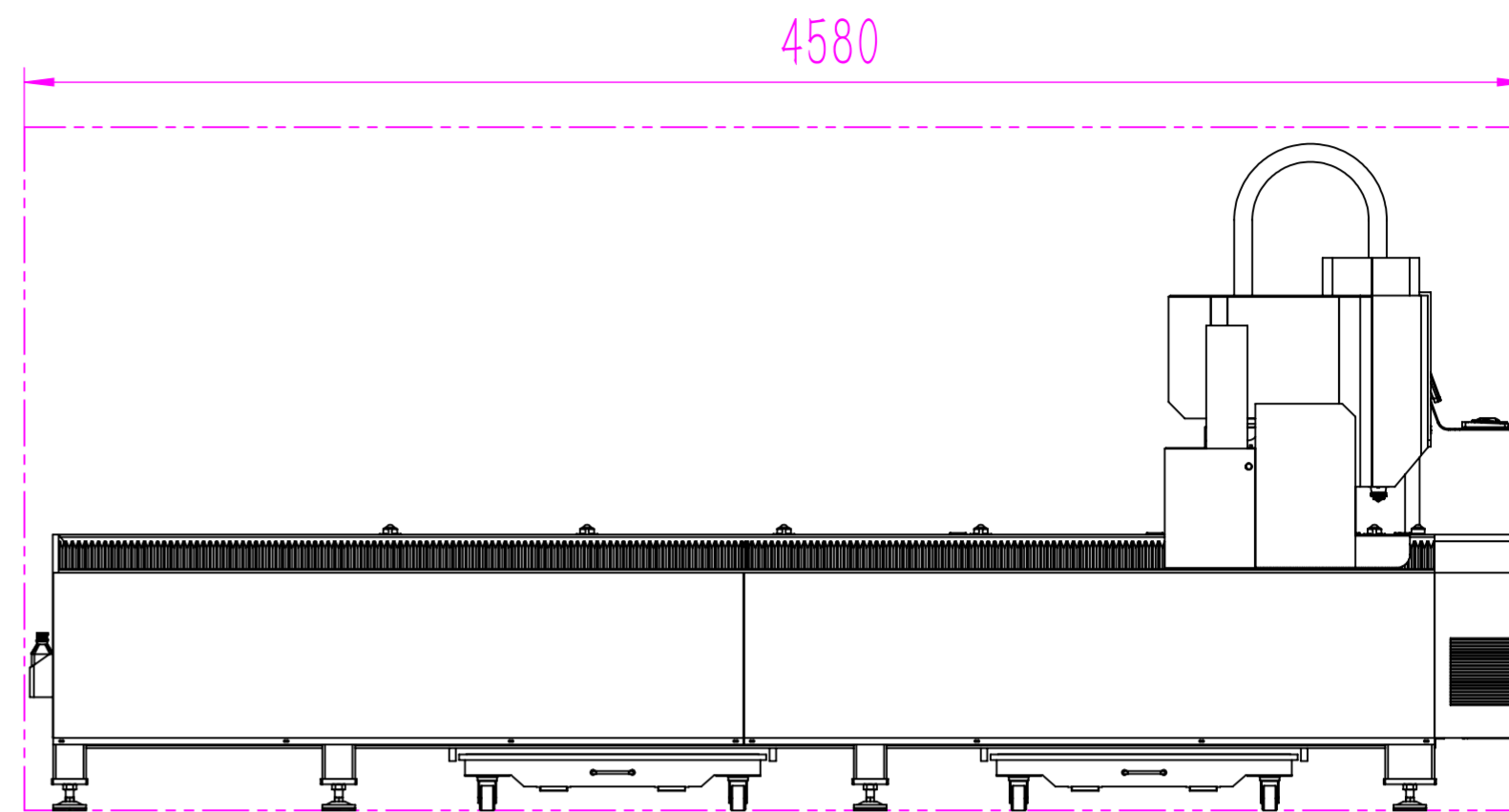
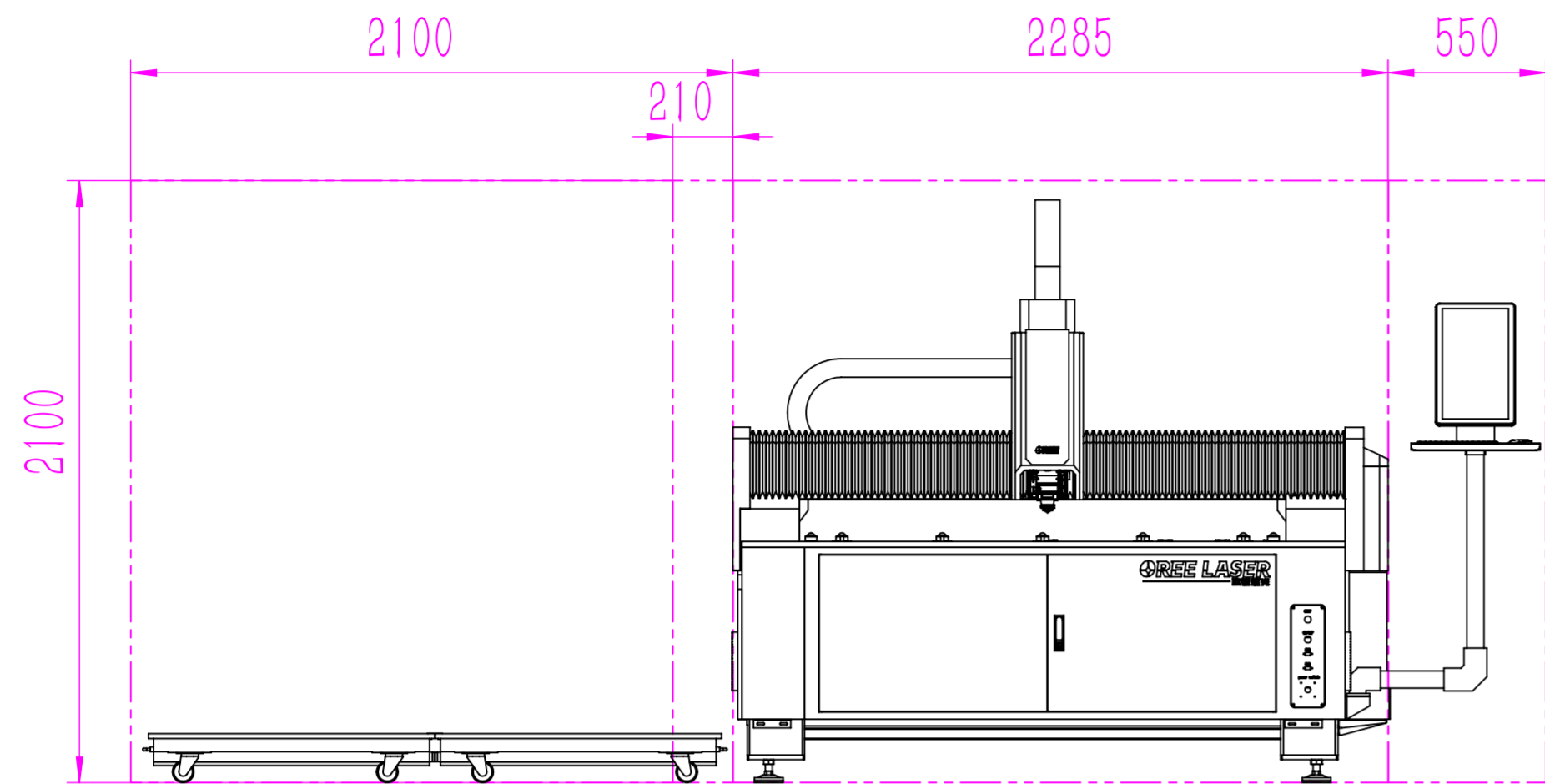
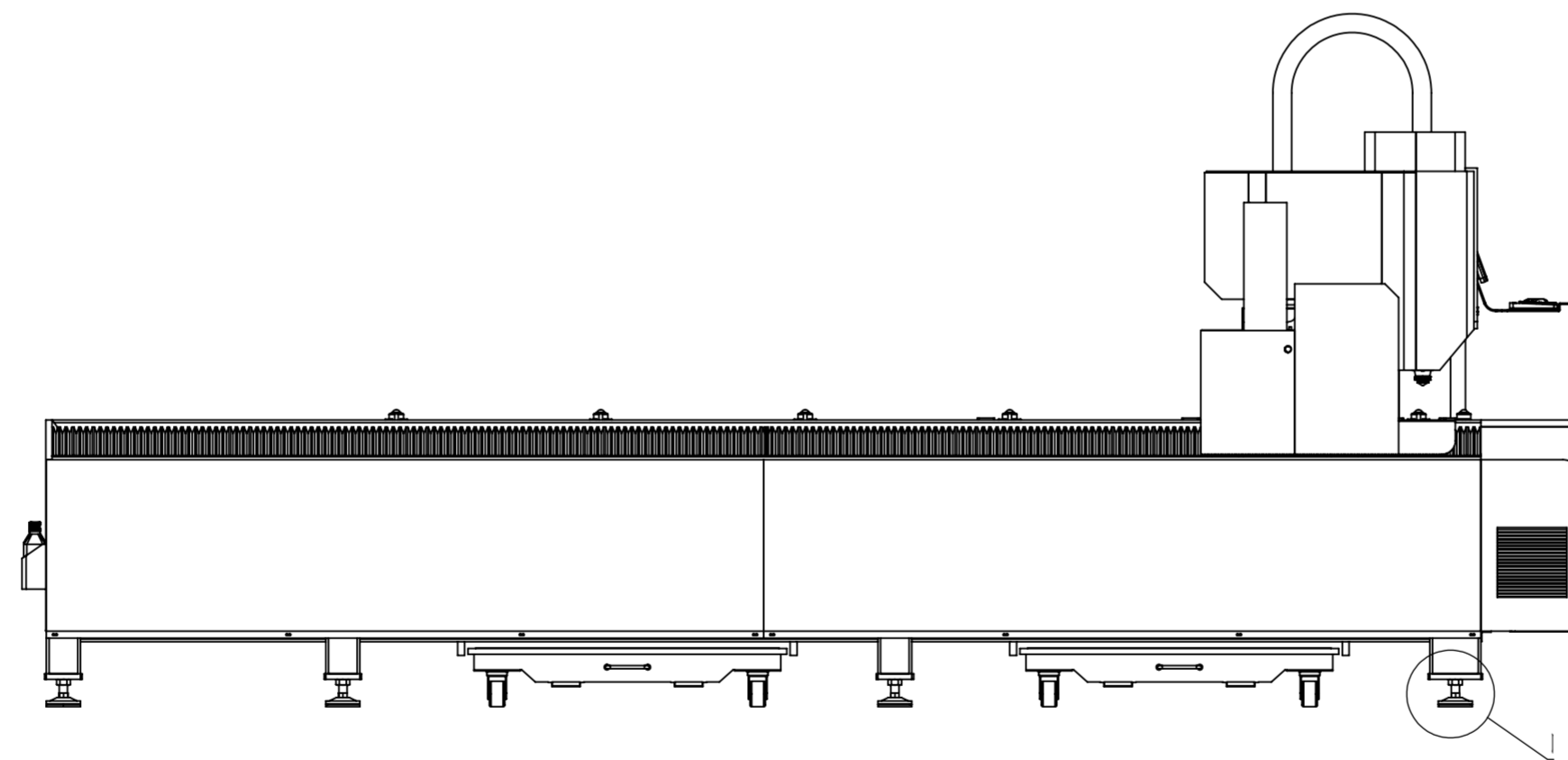
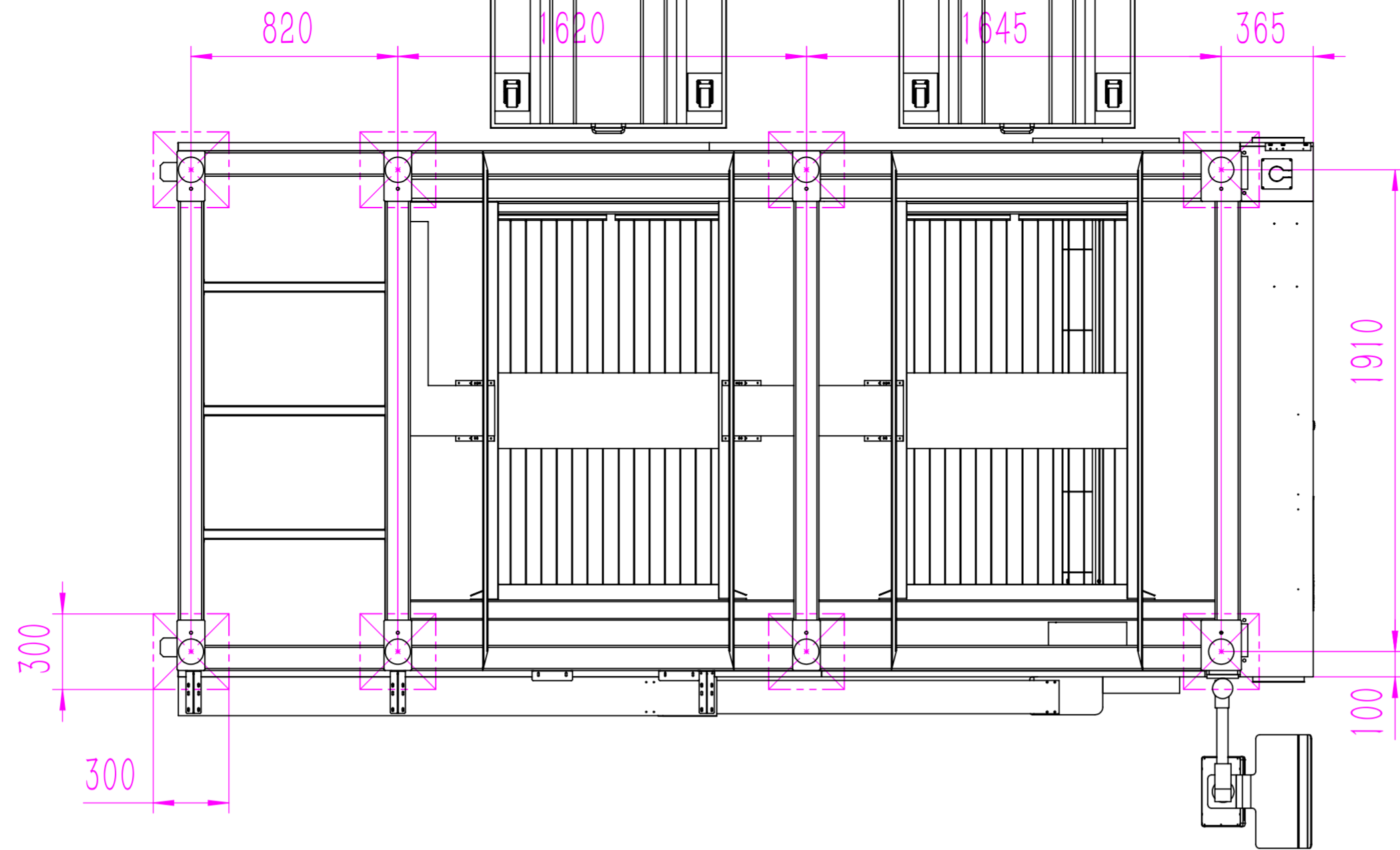


A2

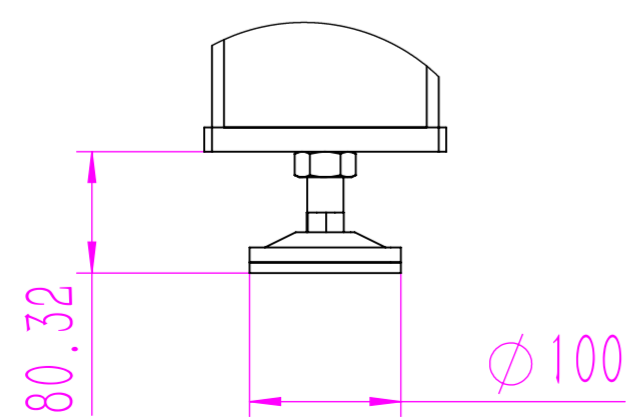


			OREE LASER 歐雷激光	
			2092.673 Kg	1.22
			OR-FM3015A-00	

2A



1/1.5



												1件/台	
										2092.673 Kg		1.20	
												OR-FM3015A-00	

OREE LASER

2092.673 Kg

1.20

OR-FM3015A-00